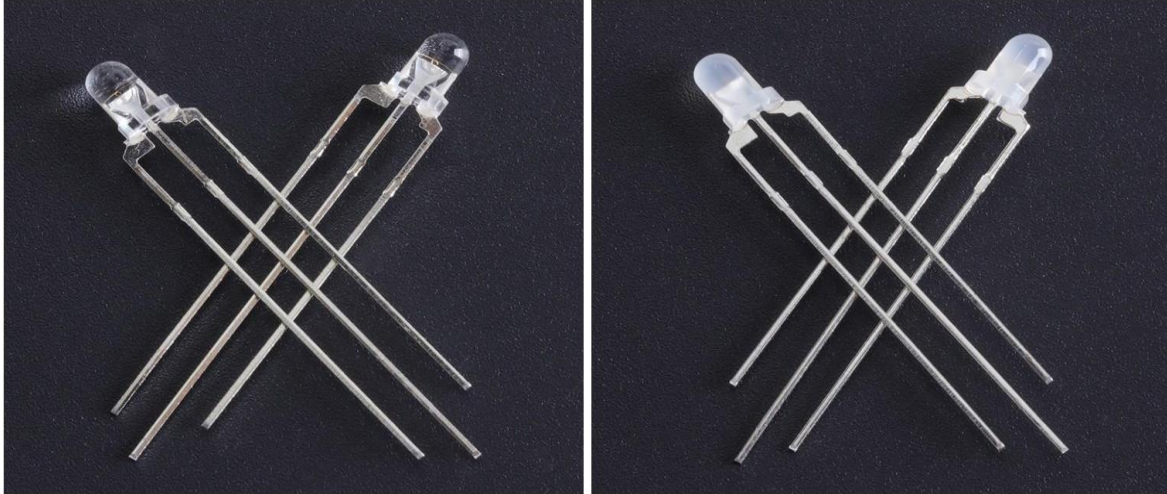
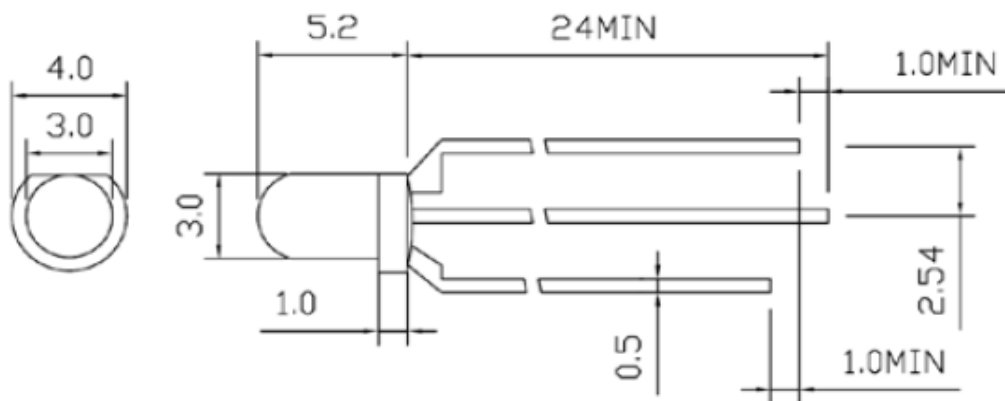


3mm round red green bicolor lamp led

Clear Len or diffused len(Cathode or anode): 3mm Bicolor LED Red (2000 mcd) & Green (6000 mcd) LED



Package Dimensions



Unit: (mm)

Tolerance: ± 0.25 mm

3mm water clear super red and green bicolor led lamp. Colors: InGaAlP red (630 nm) and InGaN green (525nm). Intensity: red 2000mcd ($V_f = 2.1V$) and green 6000mcd ($V_f = 3.2V$). Viewing angles: 30 Deg. Common Cathode to Red and Green Anode.

3mm red green dual color led Features:

100% Brand New & High Quality

1000pcs per anti-static bag

Emitted Colour : Red/Green

Lens Colour : Milk-White/Clear

Viewing Angle : 30 ~ 60 Degree

Dip Diode LED Production process

Dip Diode LED Features:

Material: AlGaInP / InGaN

Absolute Maximum Rating at $T_a = 25^\circ C$

Power Dissipation: 100 mW

Peak Forward Current: 100mA

(1/10 Duty.Cycle.0.1ms Pulse width)

Continuous Forward Current: 35mA

Derating Linear From $50^\circ C$: $0.4mA/^\circ C$

Reverse Voltage: 5V

Operating Temperature Range: $-40^\circ C$ to $+80^\circ C$

Storage Temperature Range : $-40^\circ C$ to $+80^\circ C$

Lead Soldering Temperature: $260^\circ C$ for 5 Seconds

Super high intensity luminosity: 100-30000mcd

Current voltage: 1.9-3.6V

Current electricity: 20mA

Angles: 20-120degrees

Company introduction

Dongguan Zhiding Electronics Technology Co., LTD was established in Dongguan, Guangdong Province in 2009. It is a high-tech enterprise specialized in manufacturing, designing and selling high quality LED lighting and LED related products.

For Dip LED Diode: we have 3mm, 5mm, 8mm, 10mm all type, round head, flat top head, straw hat, rectangle, tower type. Various illumination angles for choice.

FAQ

Q1: Do you accept sample order?

A: Yes, we accept small order according to MOQ.

Q2: Can I have my own customized product?

A: If we don't have the common products you need, yes, it is generally possible for us to produce it. But, it usually requires a minimum of quantities ordered. If interested, please contact with our sales to discuss what customized product you need.

Q3: What is the date of delivery?

A: If we have in stock, the delivery time is in 5 working days. For the large quantity, we will calculate the delivery date and confirm it into the proforma invoice.

Q5: What is your payment term?

A: We accept TT, Western Union and Paypal. L/C is only for above 50000 USD deal. No matter which payment method you choose, please send us the bank receipt via email after you finished your payment.

Welcome to receive your inquiry about 3mm round red green bicolor lamp led.

WELCOME TO CONTACT US>>>>WWW.ZHIDINGLED.COM



Oversea Sales Manager
Elsa Xiao
E-mail:sales@zhidingled.com
Skype: elsa.xiao0418
Mobile: 86-13412570091
WhatsApp: 86-13412570091
Tel: 86-769-22665151
Fax:86-769-22665155